

“

**Assuring Safety,
Inspiring Future**

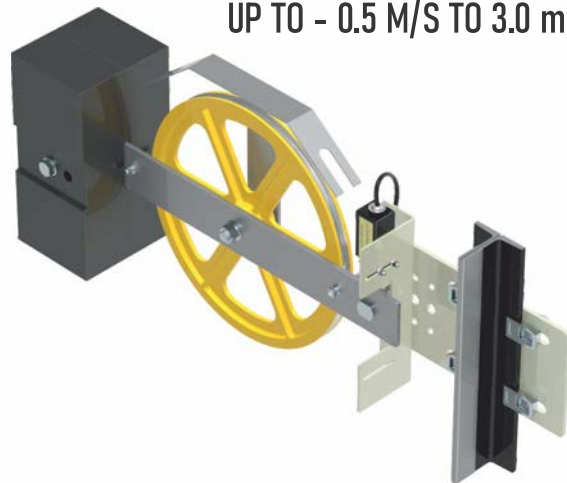
”

ELEVATOR MECHANICAL ACCESSORIES

Complete Elevator & Elevator Spares Solution Under One Roof

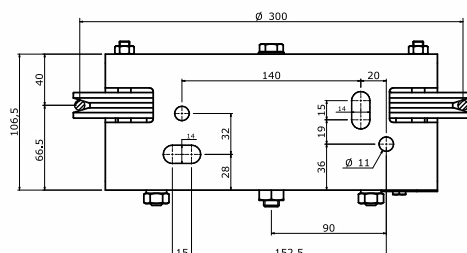
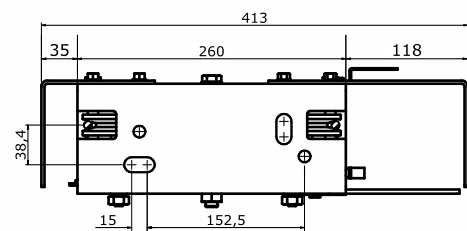
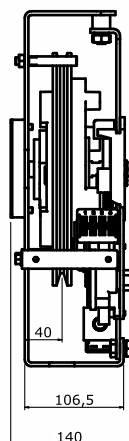
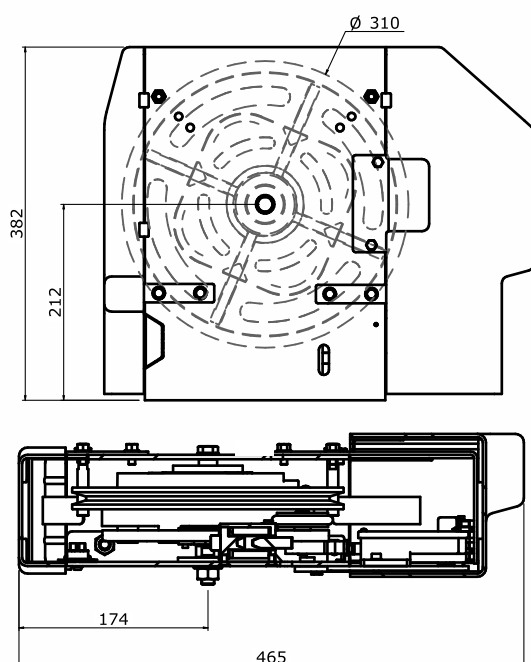
OVER SPEED GOVERNOR

300 DIA for MR & MRL
UP TO - 0.5 M/S TO 3.0 m/s



TOP MECHANISM

TOP BOTTOM

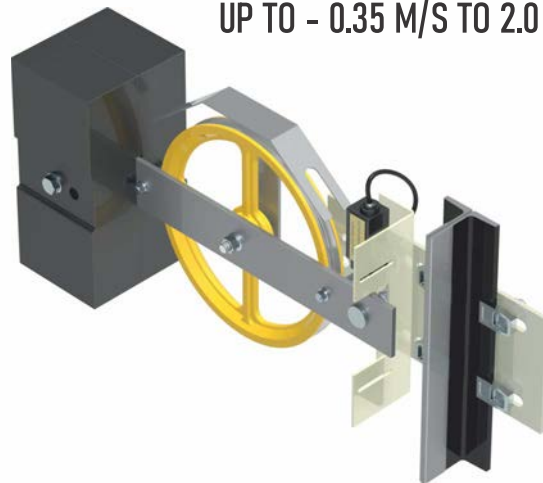
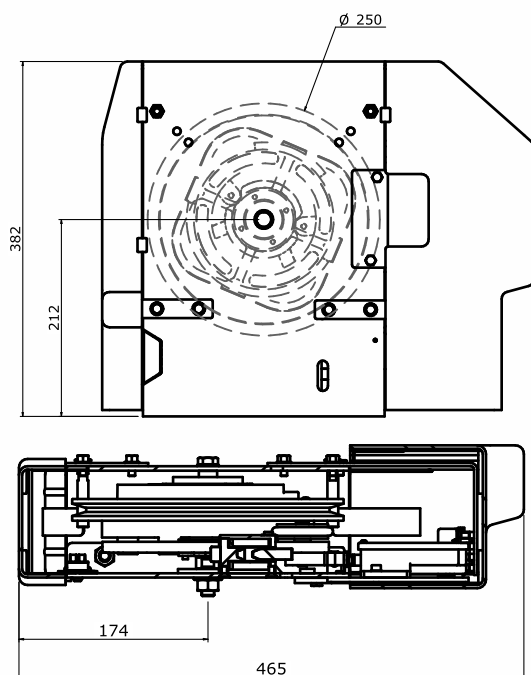


- By Direction Operated Over Speed Governor
- Mechanical / Electrical Safety are available
- Hardened V Groove and Bearing Shoe for long life
- Self Activation Low Torque Switch for MR
- Auto-activation Wired Remote System Safety Switch for MRL
- (Auto Test Reset System)
- UCM System available (Unconditional Car Movement)
- OSG can be calibrated according to the Lift Speed
- Suitable for Instantaneous & Progressive Safety Block
- Easy to Assemble on site
- Bottom Tension Device are available (Bottom Sheave with Mechanism)

OVER SPEED GOVERNOR

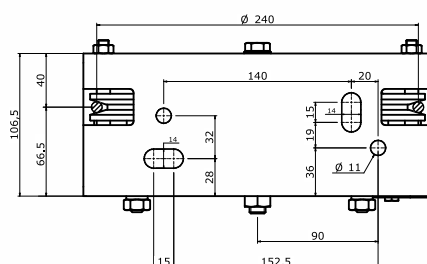
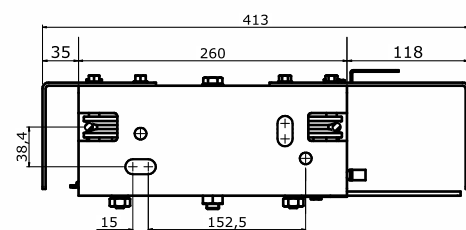
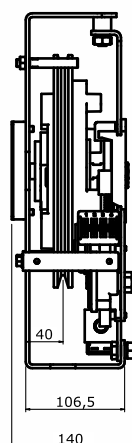


TOP MECHANIJAM



250 DIA for MR & MRL
UP TO - 0.35 M/S TO 2.0 m/s

TOP BOTTOM



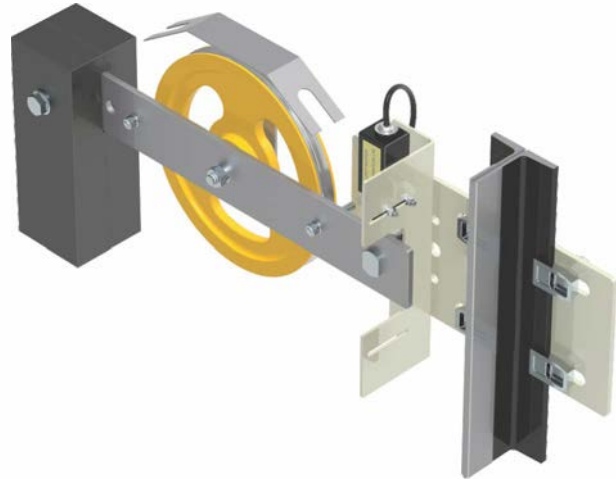
- By Direction Operated Over Speed Governor
- Mechanical / Electrical Safety are available
- Hardened V Groove and Bearing Shoe for long life
- Self Activation Low Torque Switch for MR
- Auto-activation Wired Remote System Safety Switch for MRL
- (Auto Test Reset System)
- UCM System available (Unconditional Car Movement)
- OSG can be calibrated according to the Lift Speed
- Suitable for Instantaneous & Progressive Safety Block
- Easy to Assemble on site
- Bottom Tension Device are available (Bottom Sheave with Mechanism)

OVER SPEED GOVERNOR

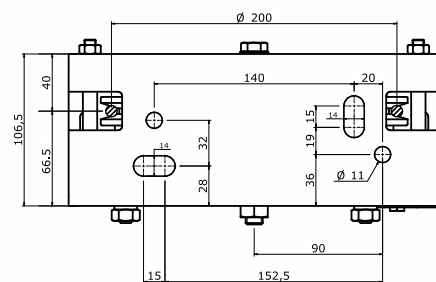
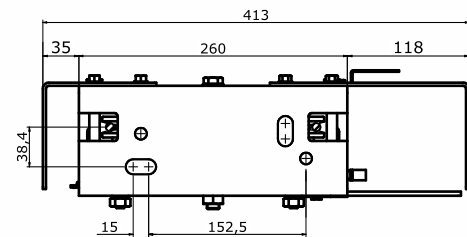
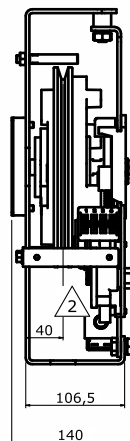
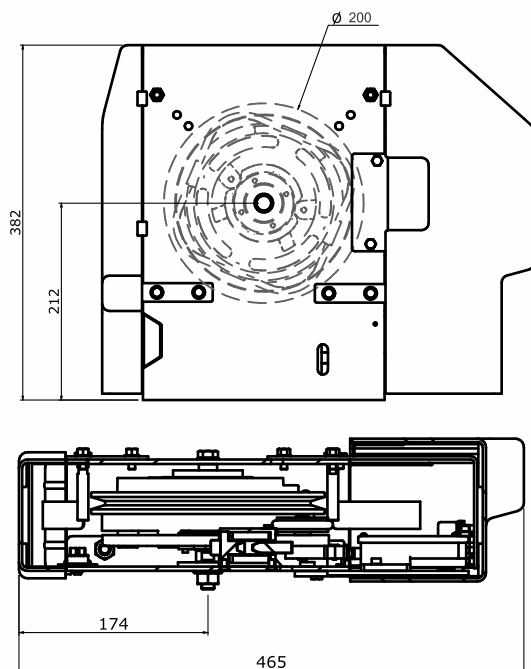
200 DIA for MR & MRL
UP TO - 0.2 M/S TO 1.5 m/S



TOP MECHANIJAM



TOP BOTAM



- By Direction Operated Over Speed Governor
- Mechanical / Electrical Safety are available
- Hardened V Groove and Bearing Shoe for long life
- Self Activation Low Torque Switch for MR
- Auto-activation Wired Remote System Safety Switch for MRL
- (Auto Test Reset System)
- UCM System available (Unconditional Car Movement)
- OSG can be calibrated according to the Lift Speed
- Suitable for Instantaneous & Progressive Safety Block
- Easy to Assemble on site
- Bottom Tension Device are available (Bottom Sheave with Mechanism)