

ELEVATOR SAFETY GEAR

Complete Elevator & Elevator Spares Solution Under One Roof

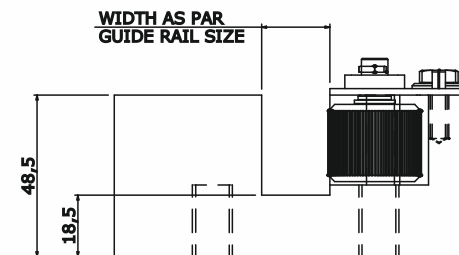
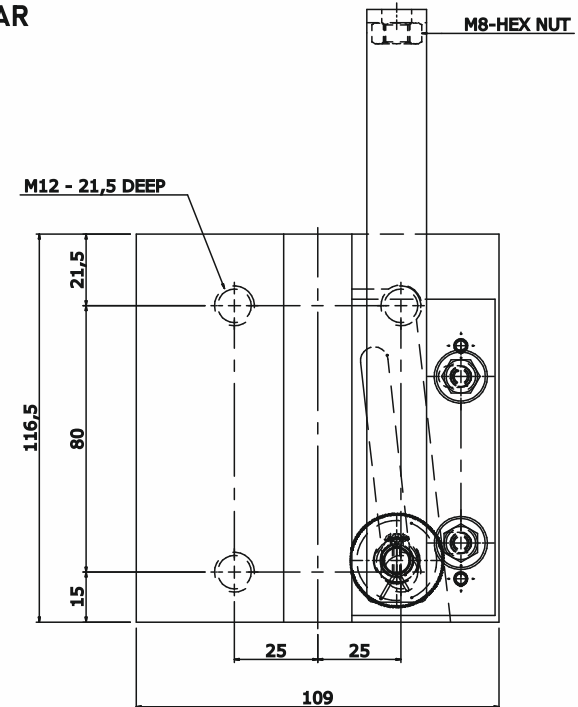
SG-M1-AVC

INSTANTANEOUS SAFETY GEAR



Technical Specification

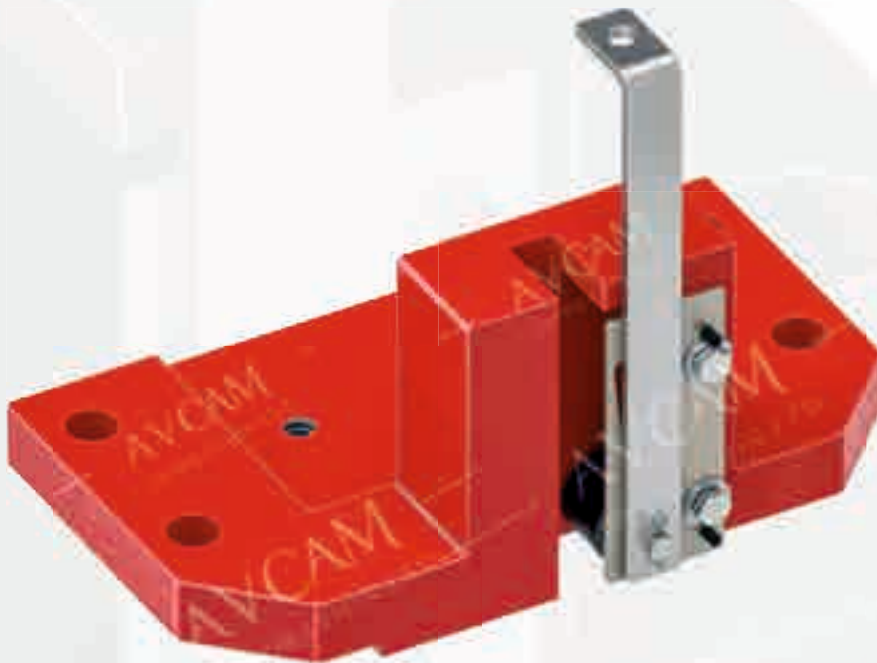
- For 9mm & 10mm Guide Rail
- Rated speed up to 1 m/s
- Allowable Gross mass (P+Q) 500 to 1500kg



*All Dimensions in Drawing are in "MM"

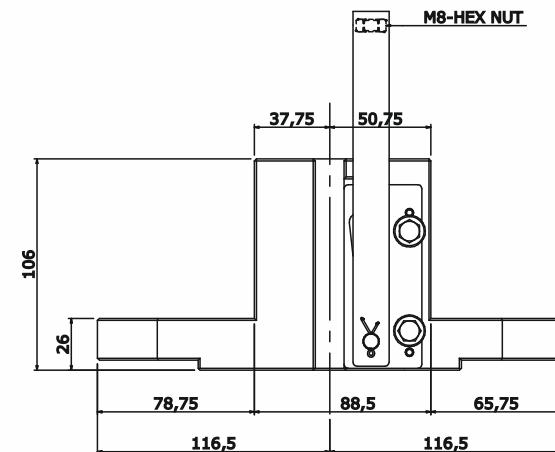
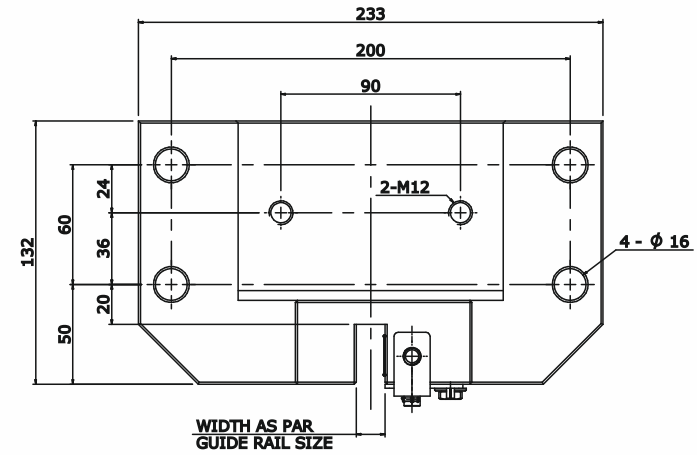
SG-M2-AVC

INSTANTANEOUS SAFETY GEAR



Technical Specification

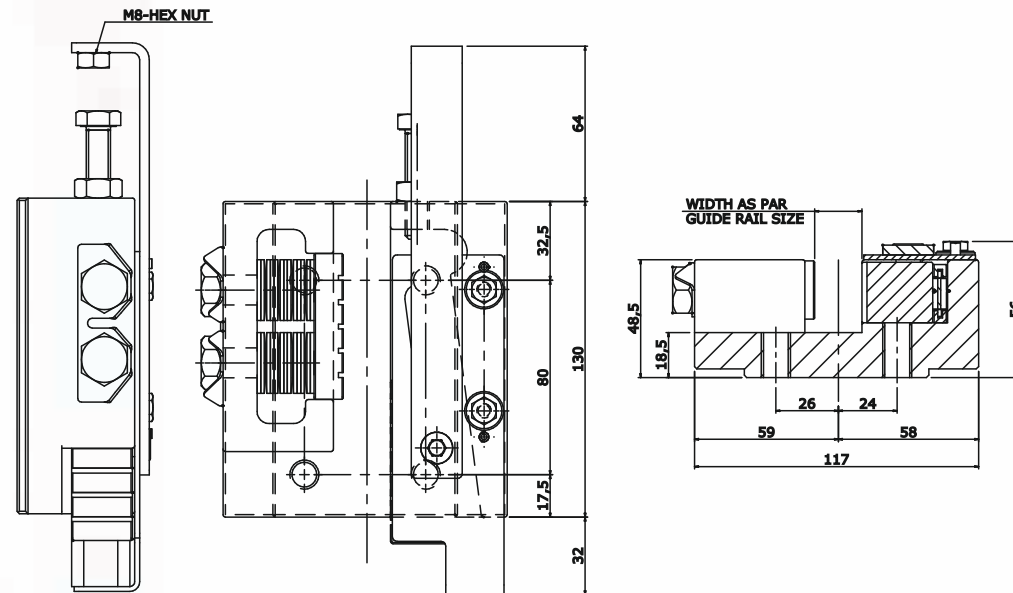
- For 9mm & 10mm Guide Rail
- Rated speed up to 1 m/s
- Allowable Gross mass (P+Q) 500 to 1500kg



*All Dimensions in Drawing are in "MM"

SG-M3-AVC

PROGRESSIVE SAFETY GEAR



Technical Specification

- For 9mm, 10mm & 16mm Guide Rail
- Rated speed up to 2.0 m/s. (P+Q) 500 to 1500kg

*All Dimensions in Drawing are in "MM"

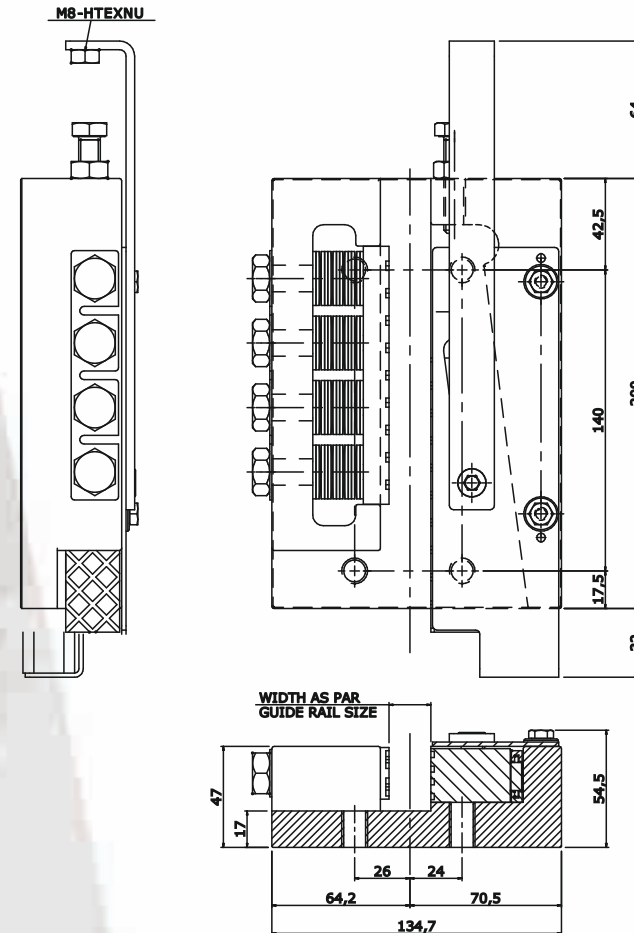
SG-M4-AVC (Side Mounted)

PROGRESSIVE SAFETY GEAR



Technical Specification

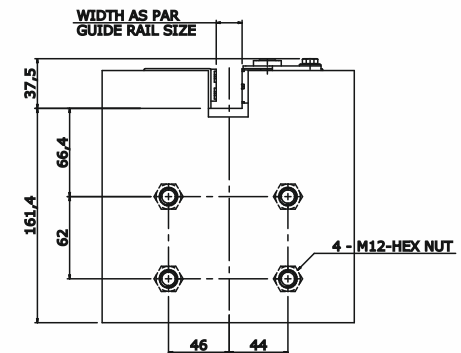
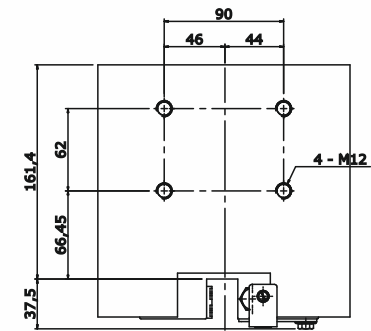
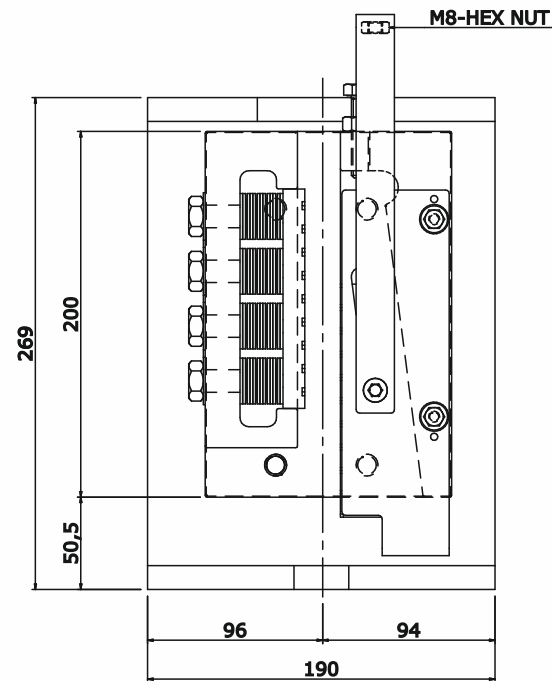
- For 9mm, 10mm & 16mm Guide Rail
- Rated speed up to 3.0 m/s (P+Q) 800 to 4000kg
- Side Mounted



*All Dimensions in Drawing are in "MM"

SG-M5-AVC (Top Mounted)

PROGRESSIVE SAFETY GEAR



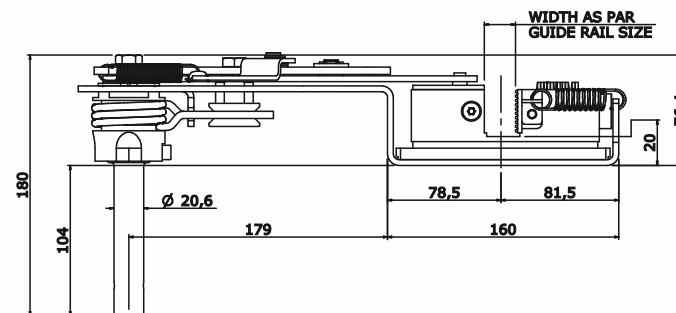
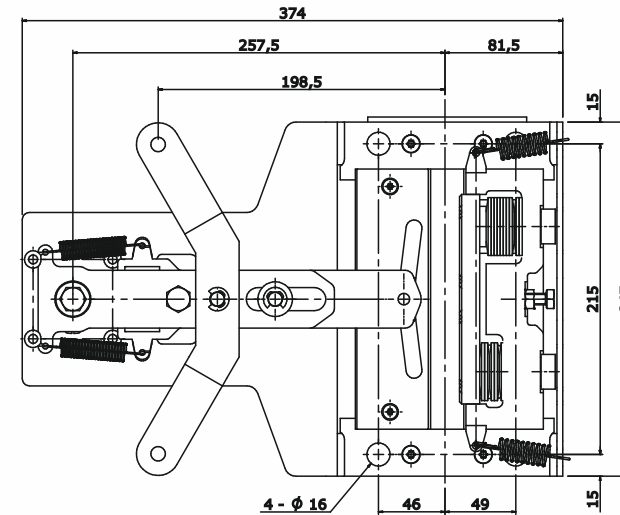
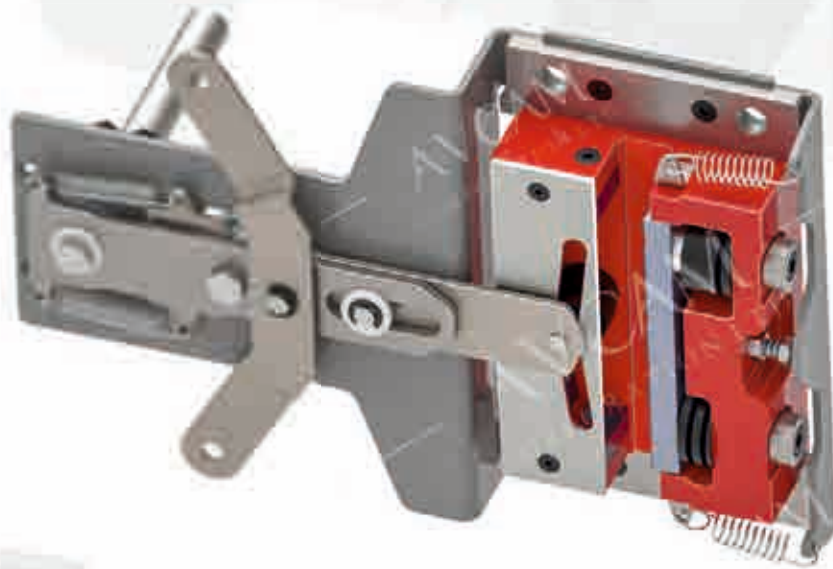
Technical Specification

- For 9mm, 10mm & 16mm Guide Rail
- Rated speed up to 3.0m/s (P+Q) 800 to 4000kg
- Bottom Mounted

*All Dimensions in Drawing are in "MM"

SG-M6-AVC

DUAL ACTING PROGRESSIVE SAFETY GEAR



Technical Specification

- For 9mm, & 16mm Guide Rail
- Rated speed up to 2.5m/s (P+Q) 500 to 3400kg.

*All Dimensions in Drawing are in "MM"



Manufacturing Plant & Office

Survey No. 503, Majara-Talod Road,
Gujarat State Highway 143, TA. PRANTIJ
Opp. Kashtabhanjan Petroleum (NAYARA Petrol Pump),
Dist. Sabarkantha, Ghadkan, Gujarat 383 205.



Location Map

- ✉ info@avcamcorporation.com
- 🌐 www.avcamcorporation.com
- ☎ +91 98250 19838, +91 97651 66169

Our Virtual Presence



website



facebook



twitter



pinterest



linkedin



instagram



youtube



whatsapp

Disclaimer : The data contained within this catalogue is subject to change, errors and printing errors; any liability is excluded. Technical data in particular is subject to change without prior notification. Images are not exact and may contain minor deviations from the original. Unauthorized reproduction or distribution of photos or technical data is prohibited and may result in legal action.