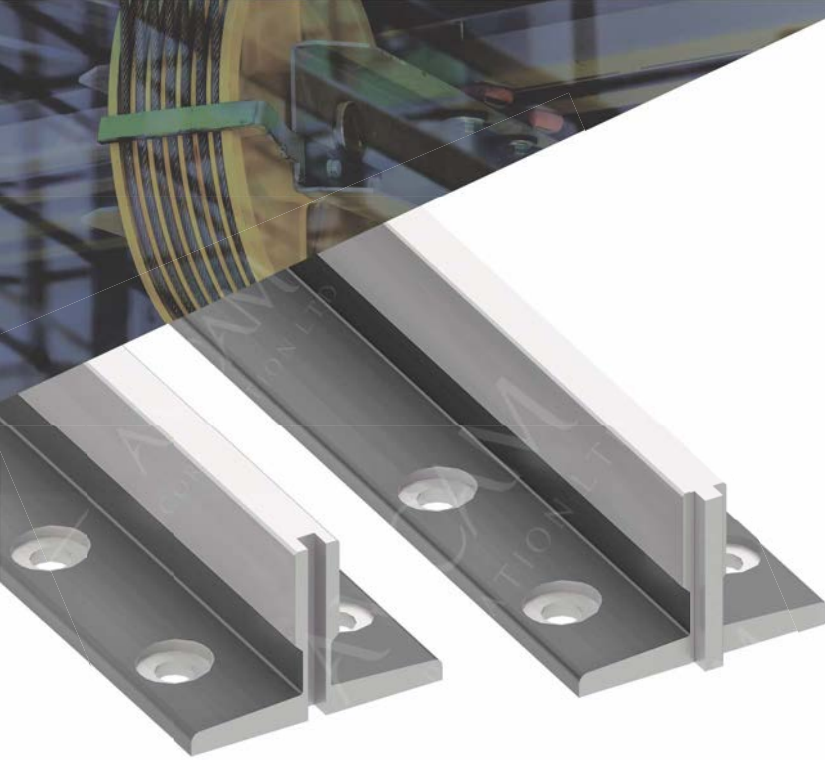




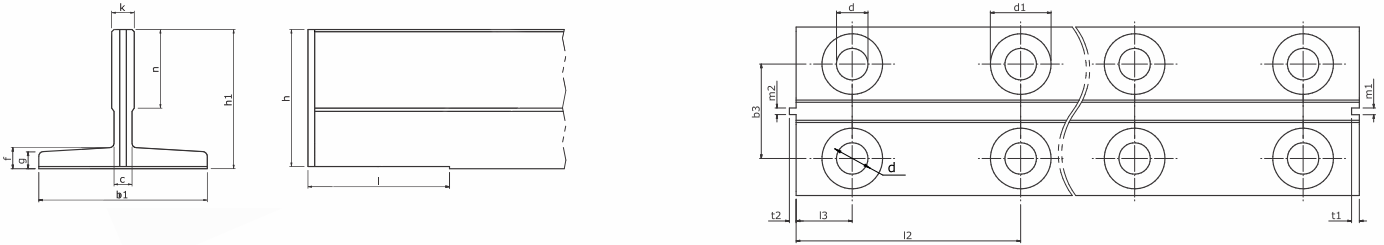
# ELEVATOR GUIDE RAILS

26.02.2025

Complete Elevator & Elevator Spares Solution Under One Roof



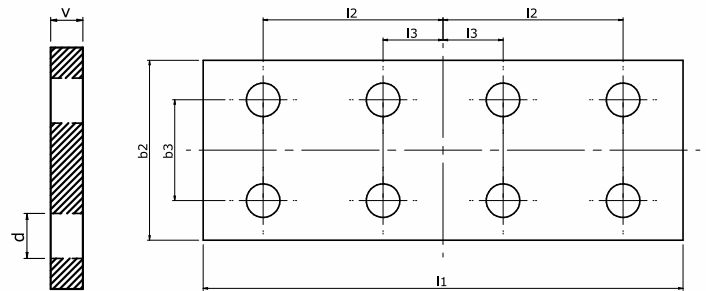
# MACHINED GUIDE RAILS



## TECHNICAL SPECIFICATION

Size	$b_1$	$h_1$	$k$	$n$	$c$	$f$	$g$	$r_s$	$m_1$	$m_2$	$u_1$	$u_2$	$d$	$d_1$	$b_3$	$l_2$	$l_3$	$l$	$h$
	Tolerance																		
	$\pm 1.5$	$\pm 0.75$	$+0.1$ $0.0$	$+3.0$ $0.0$	/	$\pm 0.75$	$\pm 0.75$	/	$+0.06$ $0.00$	$0.00$ $-0.06$	$\pm 0.1$	$\pm 0.1$	/	/	$\pm 0.2$	$\pm 0.2$	$\pm 0.2$	$+3.0$ $0.0$	$\pm 0.1$
T-70 X 65 X 9	70	65	9	30	6	7	5	3	2.5	2.47	3	3.5	13	26	42	105	25	138	64
T-82 X 62 X 16	82	62	15.88	30	8	8.5	6	3	3	2.95	3.5	3	13	26	50	114.3	38.1	156	61

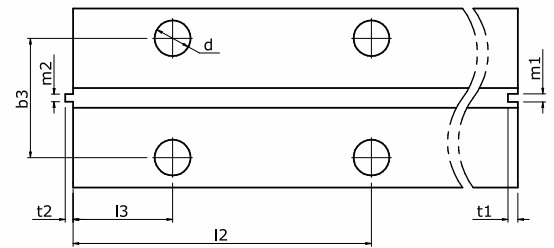
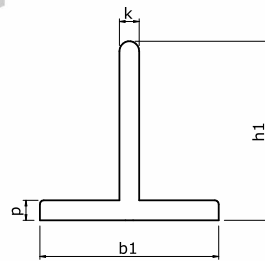
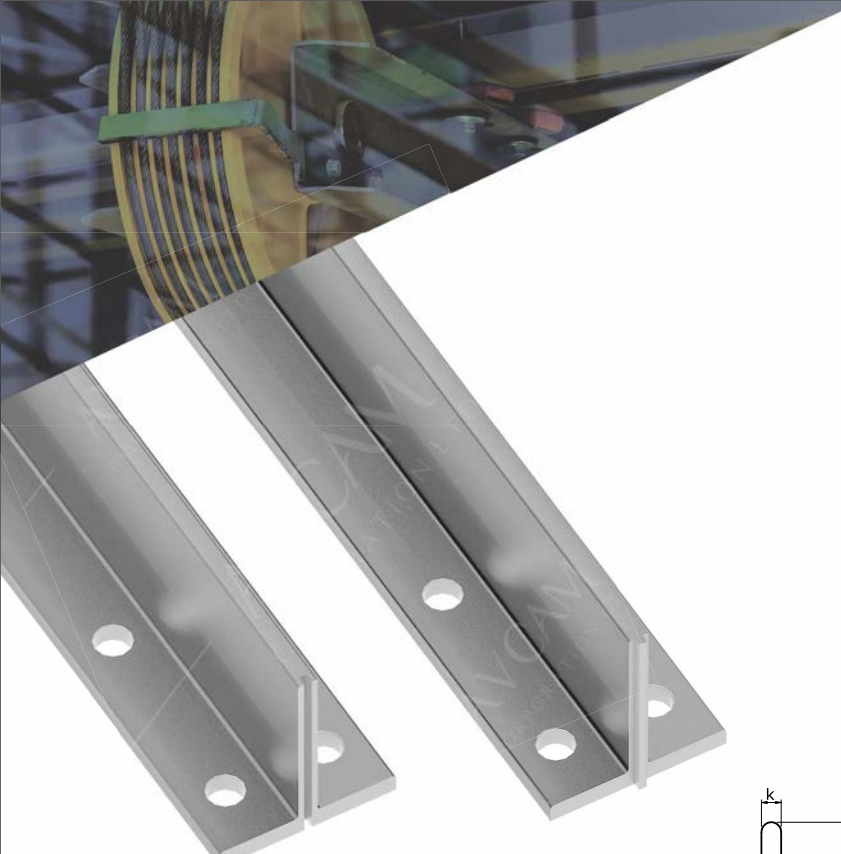
## MACHINED GUIDE RAIL FISH PLATE



## TECHNICAL SPECIFICATION

Size	$d$	$b_2$	$b_3$	$l_1$	$l_2$	$l_3$	$v$
T-70 X 65 X 9	13	70	42	250	105	25	10
T-82 X 62 X 16	13	80	50	305	114.3	38.1	10

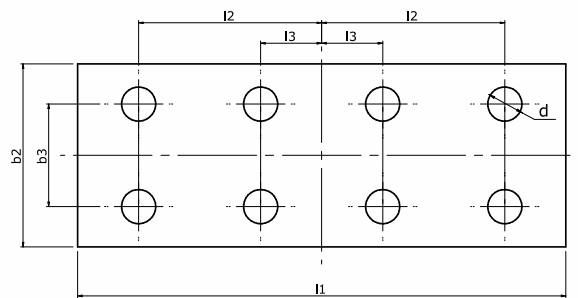
# COLD DRAW GUIDE RAILS



## TECHNICAL SPECIFICATION

Size	$b_1$	$h_1$	$k$	$p$	$r$	$l_2$	$l_3$	$m_1$	$m_2$	$u_1$	$u_2$	$d$	$b_3$
	Tolerance												
	$\pm 0.5$	$\pm 0.2$	$\pm 0.15$	$\pm 0.5$	/	$\pm 0.2$	$\pm 0.2$	+0.06 0.00	0.00 -0.06	$\pm 0.1$	$\pm 0.1$	/	$\pm 0.2$
T-45 X 45 X 5	45	45	5	5	1	65	15	2	1.95	2.5	2	9	25

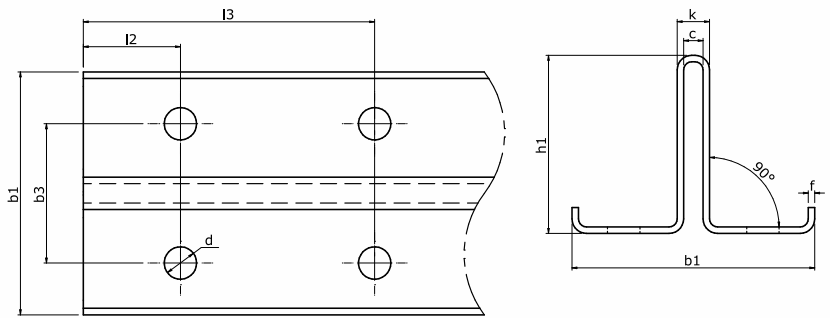
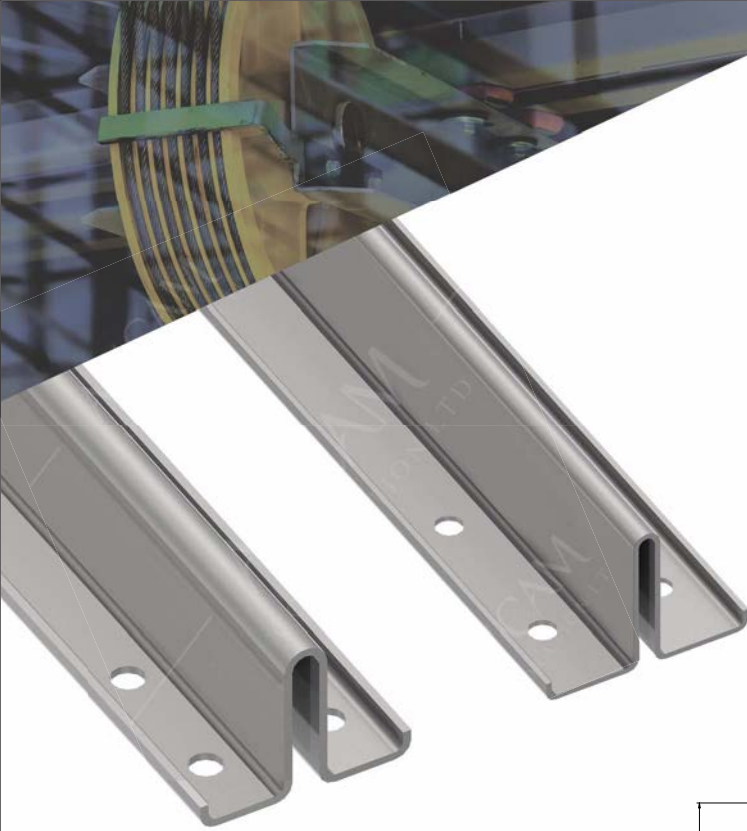
## COLD DRAW GUIDE RAIL FISH PLATE



## TECHNICAL SPECIFICATION

Size	$d$	$l_1$	$l_2$	$l_3$	$b_2$	$b_3$	$v$
T-45 X 45 X 5	9	160	65	15	50	25	8

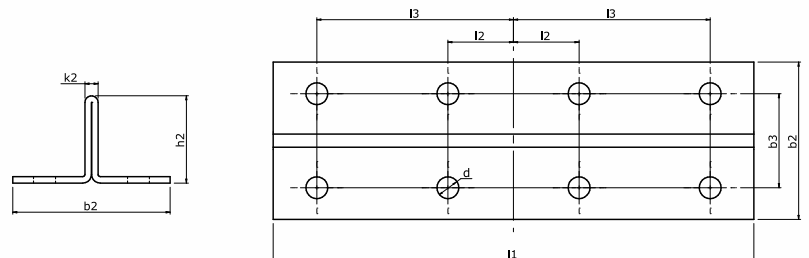
# HOLLOW GUIDE RAILS



## TECHNICAL SPECIFICATION

Size	b1	h1	k	f	l2	l3	b3	d
	Tolerance							
	±1	-0.5 0.0	±0.4	±0.2	±0.5	±0.3	±0.5	
T-75 X 55 X 10	75	55	10	2	90	30	43	10
T-78 X 60 X 16	78	60	16	2.5	75	25	45	12

## HOLLOW GUIDE RAIL FISH PLATE

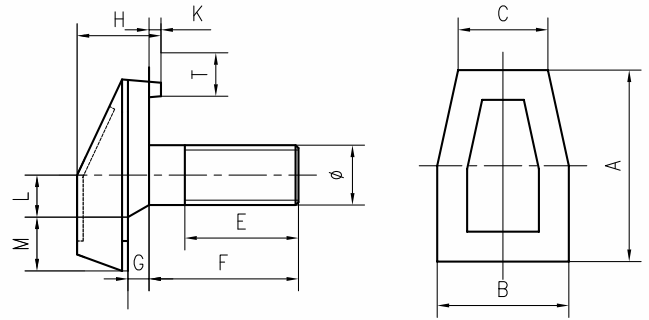


## TECHNICAL SPECIFICATION

Size	d	k2	b2	b3	l1	l2	l3	h2
T-75 X 55 X 10	10	6	72	43	220	30	90	34
T-78 X 60 X 16	12	10	87	45	200	25	75	56



# FORGED GUIDE CLIPS



## TECHNICAL SPECIFICATION

Guide Rail Size	Guide Clip Type	Ø	A	B	C	E	F	G	H	K	L	M	T
			±1.5	±1.5	±1.5	±2.5	±1.5	±0.8	±1.0	±0.5	±0.8	±1.0	±0.5
5 & 6 mm	T1	M10	32	22	15	19	25	3.5	12	2	5	11	3
9 & 10 mm	T2	M12	39	26	19	22	30	4.3	15	3	6.5	13	4
16 mm	T3	M14	45	29	21	28	38	5.5	18.5	4	8	13	4
16 mm	T4	M16	50	34	22	34	44	6.5	20.5	4	8.5	15	5

# SHEET METAL GUIDE CLIPS

FOR CAR GUIDE RAILS

70 x 65 x 9 mm



FOR COUNTER GUIDE RAILS

45 X 45 X 5 mm  
50 X 50 X 6 mm



FOR HOLLOW GUIDE RAILS

75 X 55 X 10 mm  
78 X 60 X 16 mm





### Manufacturing Plant & Office

Survey No. 503, Majara-Talod Road,  
Gujarat State Highway 143, TA. PRANTIJ  
Opp. Kashtabhanjan Petroleum (NAYARA Petrol Pump),  
Dist. Sabarkantha, Ghadkan, Gujarat 383 205.



Location Map

- ✉ info@avcamcorporation.com
- 🌐 www.avcamcorporation.com
- ☎ +91 98250 19838, +91 97651 66169

### Our Virtual Presence



website



facebook



linkedin



instagram



twitter



pinterest



youtube



whatsapp

Disclaimer : The data contained within this catalog is subject to change, errors and printing errors; any liability is excluded. Technical data in particular is subject to change without prior notification. Images are not exact and may contain minor deviations from the original.