

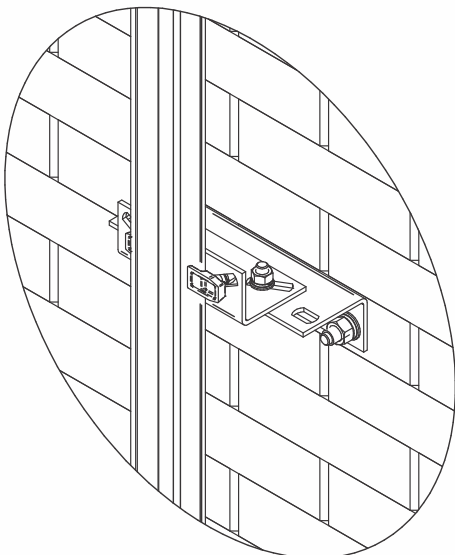
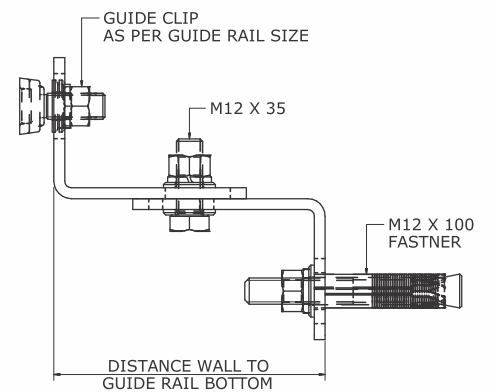
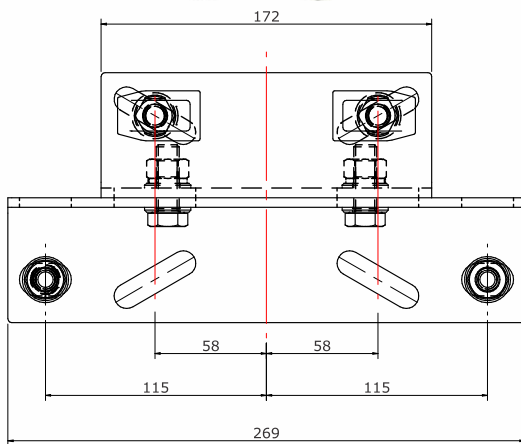
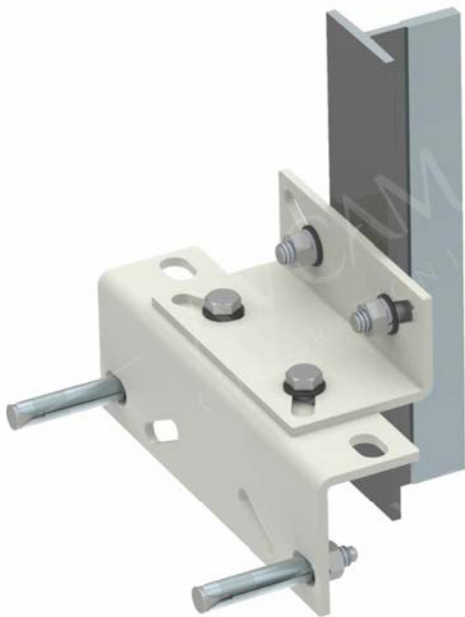
# ELEVATOR BRACKETS

26.02.2025



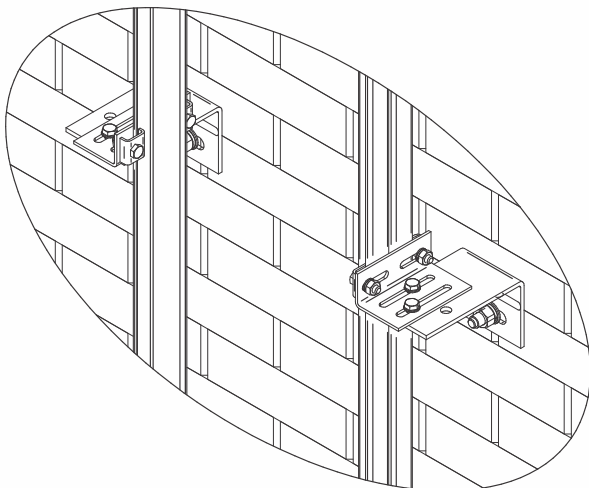
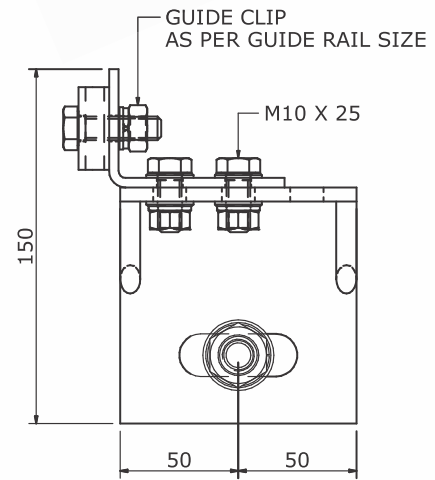
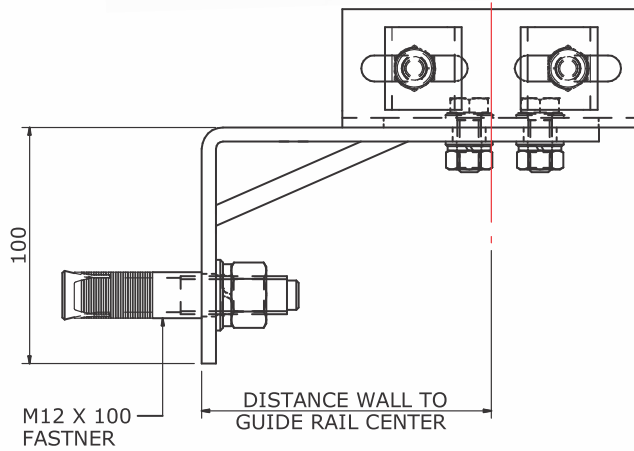
“Assuring Safety,  
Inspiring Future”

## ADJUSTABLE CAR BRACKET



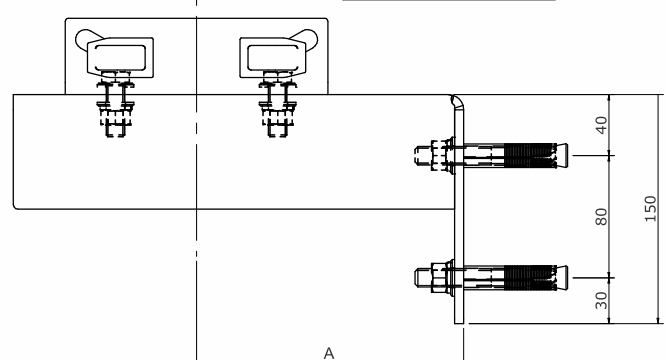
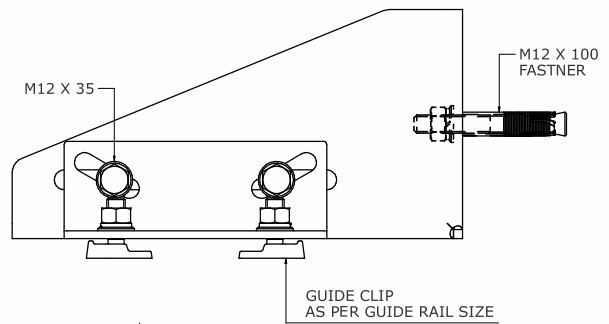
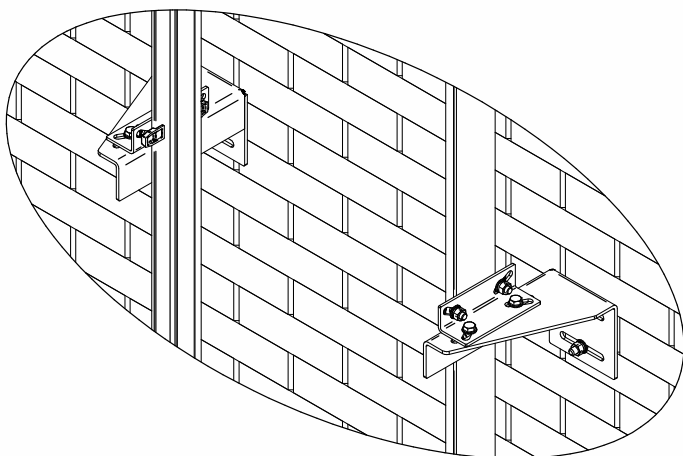
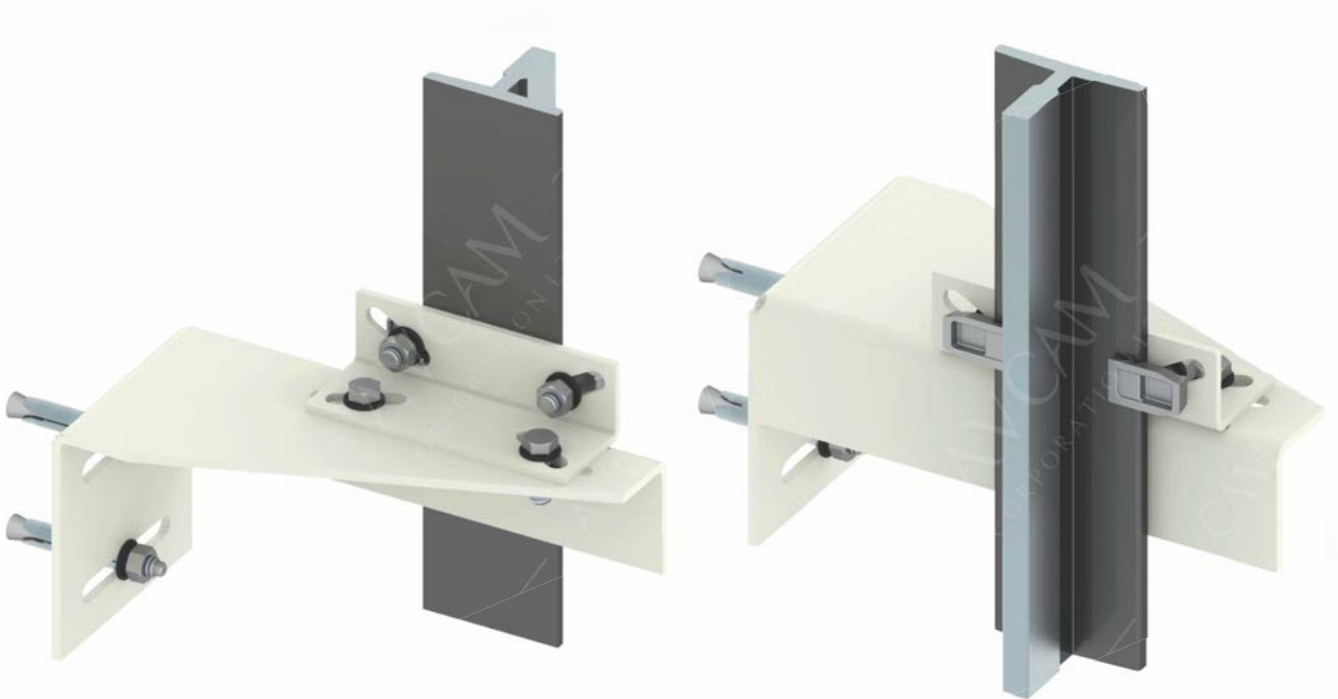
SR NO.	ADJUSTABLE DIMENSION (DISTANCE WALL TO GUIDE RAIL BOTTOM)
1	35MM to 65MM
2	50MM to 100MM
3	100MM to 150MM
4	150MM to 200MM
5	200MM to 250MM
6	250MM to 300MM
7	300MM to 350MM
8	350MM to 400MM
9	400MM to 500MM
10	500MM to 550MM

## ADJUSTABLE COUNTER BRACKET



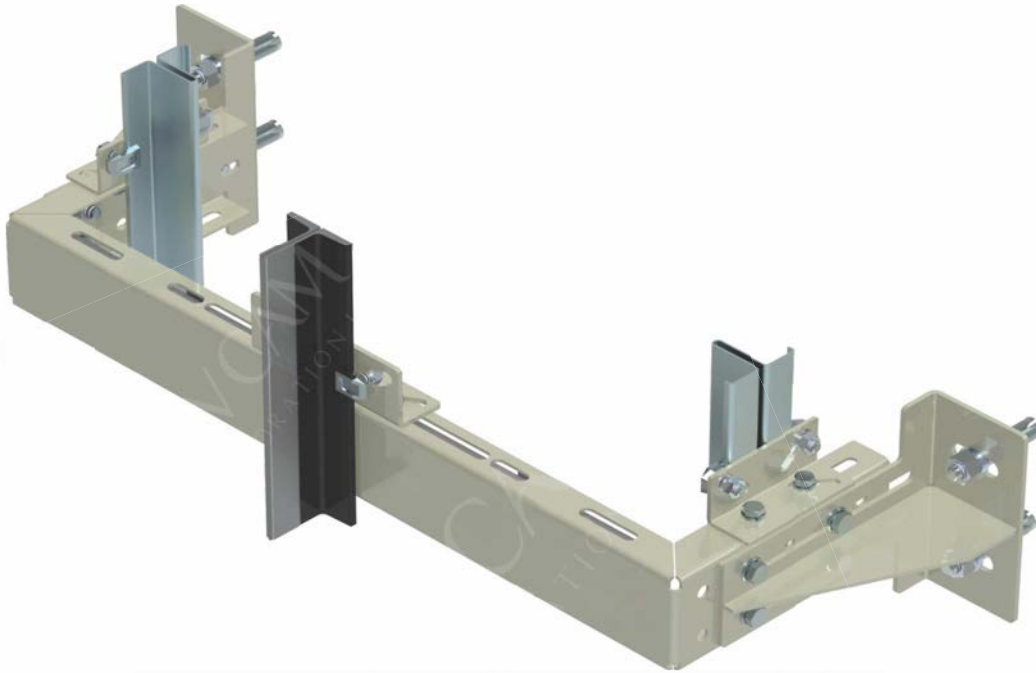
SR NO.	ADJUSTABLE DIMENSION (DISTANCE WALL TO GUIDE RAIL BOTTOM)
1	65MM to 100MM
2	100MM to 145MM
3	145MM to 190MM
4	190MM to 235MM
5	235MM to 280MM
6	280MM to 325MM
7	325MM to 370MM
8	370MM to 415MM
9	415MM to 460MM
10	460MM to 505mm

## CAR GUIDE RAIL BRACKET FOR HYDRAULIC

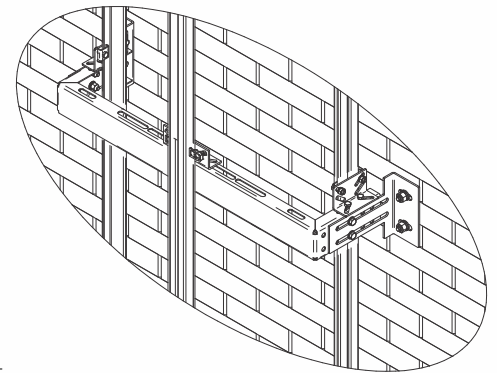
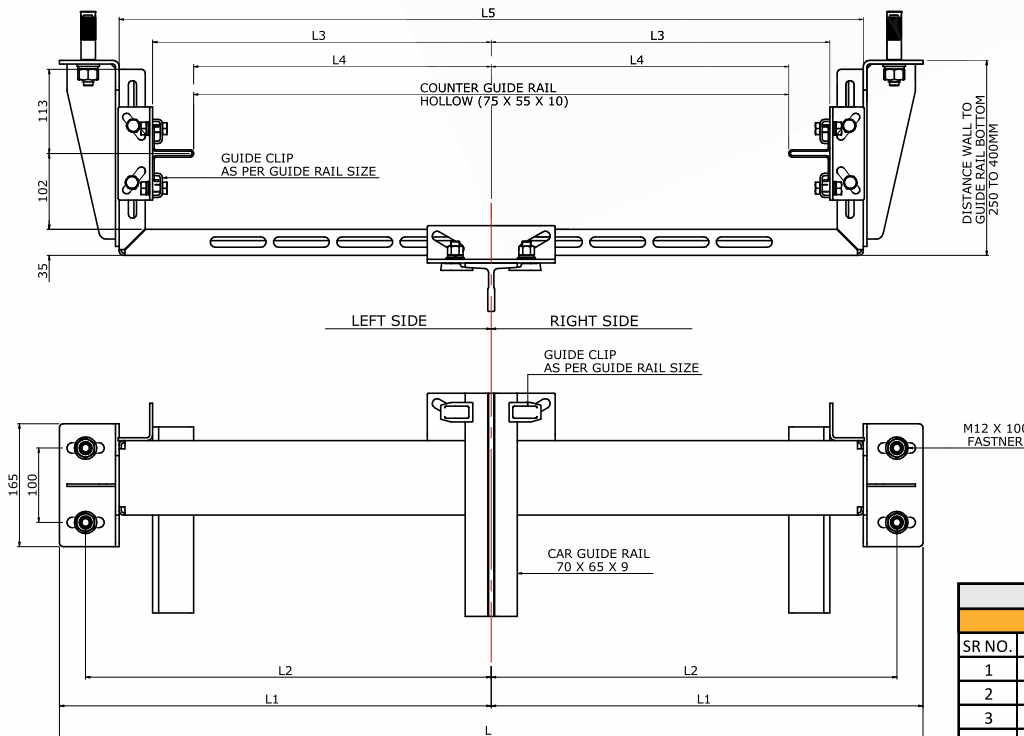


NOTE :- Can be customized according to customer

# ADJUSTABLE COMBINATION BRACKET FOR SIDE COUNTER

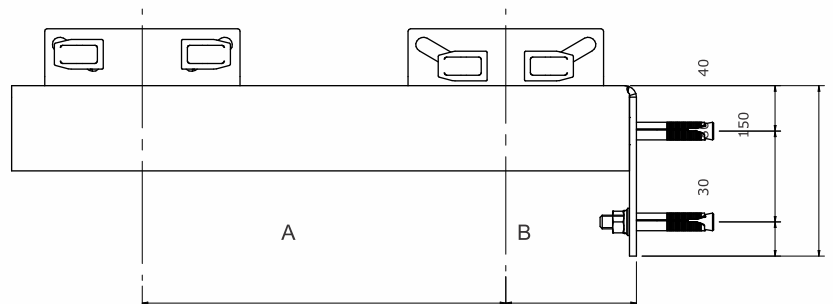
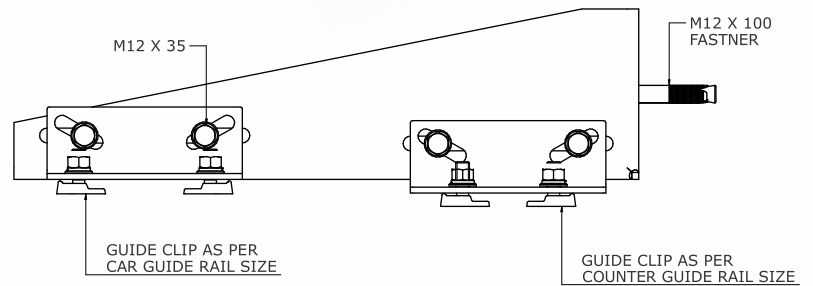
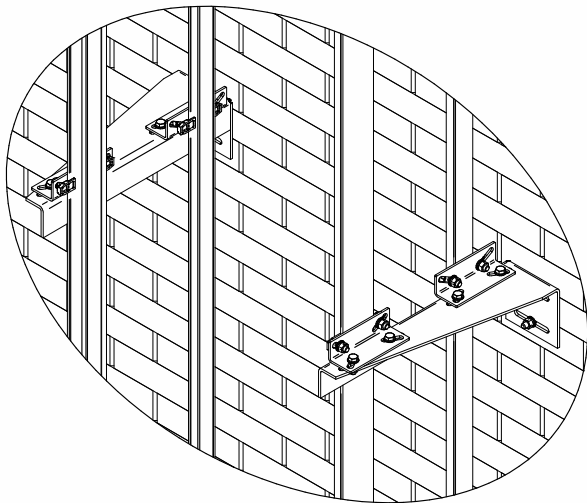


ADJUSTABLE COMBINATION GUIDE RAIL'S BRACKET



CAR GUIDE RAIL (70 X 65 X 9) & COUNTER GUIDE RAIL (HOLLOW 75 X 55 X 10)							
SR NO.	DBG	L	L1	L2	L3	L4	L5
1	600	960	480	445	365	300	800
2	700	1060	530	495	415	350	900
3	800	1160	580	545	465	400	1000
4	900	1260	630	595	515	450	1100
5	1000	1360	680	645	565	500	1200
6	1100	1460	730	695	615	550	1300
7	1200	1560	780	745	665	600	1400

# CAR & COUNTER ADJUSTABLE COMBINATION BRACKET FOR BACK SIDE CAR & COUNTER



NOTE - A & B CAN BE CUSTOMIZED ACCORDING TO CUSTOMER IN THIS CENTRE DISTANCE





### Manufacturing Plant & Office

Survey No. 503, Majara-Talod Road,  
Gujarat State Highway 143, TA. PRANTIJI  
Opp. Kashtabhanjan Petroleum (NAYARA Petrol Pump),  
Dist. Sabarkantha, Ghadkan, Gujarat 383 205.



Location Map

- ✉ info@avcamcorporation.com
- 🌐 www.avcamcorporation.com
- ☎ +91 98250 19838, +91 97651 66169

### Our Virtual Presence



website



facebook



linkedin



instagram



twitter



pinterest



youtube



whatsapp

**Disclaimer :** The data contained within this catalogue is subject to change, errors and printing errors; any liability is excluded. Technical data in particular is subject to change without prior notification. Images are not exact and may contain minor deviations from the original. Unauthorized reproduction or distribution of photos or technical data is prohibited and may result in legal action.