



ELEVATOR SEMI AUTOMATIC TELESCOPIC DOOR

Complete Elevator & Elevator Spares Solution Under One Roof



ELEVATOR SEMI AUTOMATIC TELESCOPIC DOOR

Introducing our exceptional range of Semi Automatic Telescopic Doors, expertly designed to slide in a telescopic fashion. This innovative design not only aligns with current market trends but also caters to the specific preferences of our valued customers. These door not only enhance the aesthetic appeal of elevators but also ensure a comfortable and serene experience for passengers and visitors alike. They're versatile, suitable for both landing and car applications.

At the heart of our operations lies an unwavering commitment of quality. Our doors conform to a multitude of standards and regulations, boasting high tensile strength, exceptional corrosion resistance, and fire safety compliance. This ensures a product that's not only visually appealing but also robust and secure.

- Easy installation due to compact design
- Strong, Durable and requires low maintenance
- Functions smoothly without any noise
- Auto-closing mechanism
- The most economical

Clear Opening Available

600mm to 2000mm

Vision Type

Small Vision

Half Vision

Big Vision

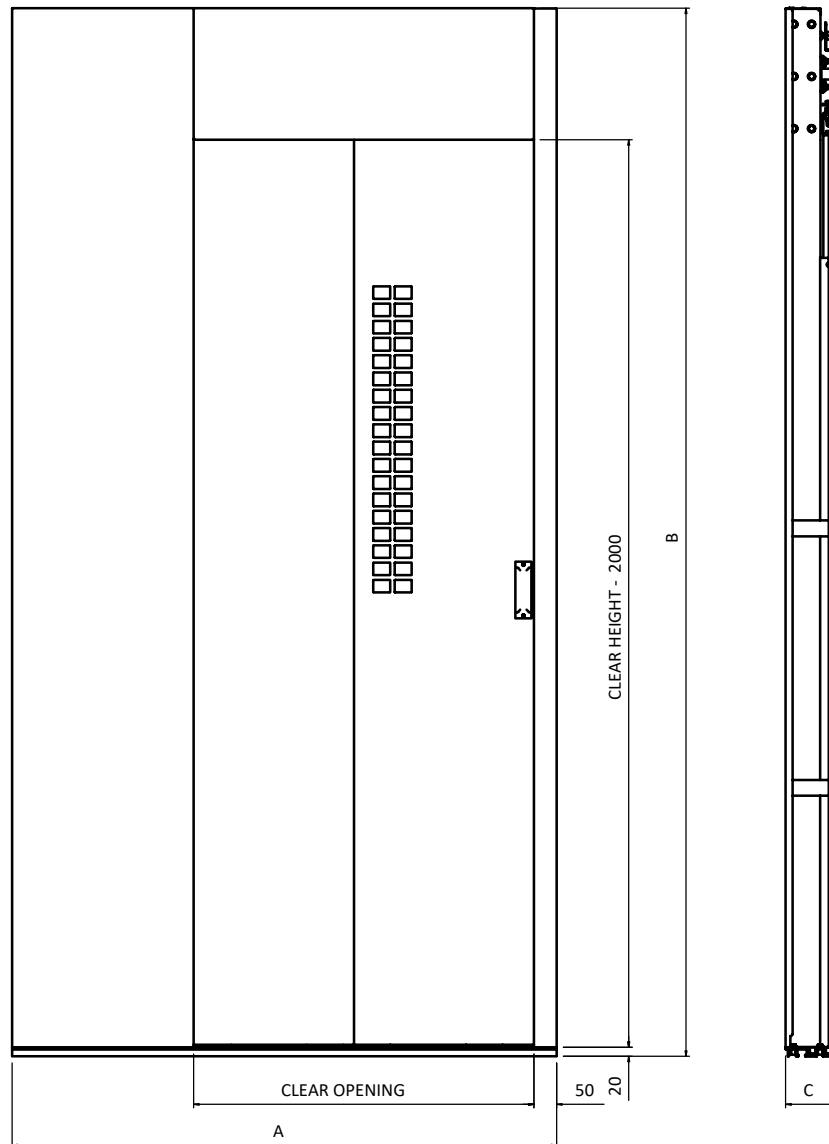
Finishes

MS Powder Coated

Stainless Steel Hairline Finish

MS Powder Coated Wooden Finish

SEMI AUTOMATIC TELESCOPIC DOOR



Technical Specifications

SR NO.	CLEAR OPENING	A	B	C
1	600 MM	1050 MM	2310 MM	115 MM
2	700 MM	1200 MM	2310 MM	115 MM
3	800 MM	1350 MM	2310 MM	115 MM
4	900 MM	1500 MM	2310 MM	115 MM
5	1000 MM	1650 MM	2310 MM	115 MM
6	1100 MM	1800 MM	2310 MM	115 MM
7	1200 MM	1950 MM	2310 MM	115 MM
8	1300 MM	2100 MM	2310 MM	115 MM
9	1400 MM	2250 MM	2310 MM	115 MM
10	1500 MM	2400 MM	2310 MM	115 MM
11	1600 MM	2550 MM	2310 MM	115 MM
12	1700 MM	2700 MM	2310 MM	115 MM
13	1800 MM	2850 MM	2310 MM	115 MM
14	1900 MM	3000 MM	2310 MM	115 MM
15	2000 MM	3150 MM	2310 MM	115 MM



MS Powder Coated Finish Small Vision



MS Powder Coated Finish Half Vision



MS Powder Coated Finish Big Vision



MS Powder Coated Finish Big Vision with Grill



Stainless Steel Hairline Finish Small Vision



Stainless Steel Hairline Finish Small Vision



Stainless Steel Hairline Finish Big Vision



Stainless Steel Hairline Finish Big Vision



MS Powder Coated Wood Finish Small Vision



MS Powder Coated Wood Finish Small Vision



MS Powder Coated Wood Finish Big Vision



MS Powder Coated Wood Finish Big Vision



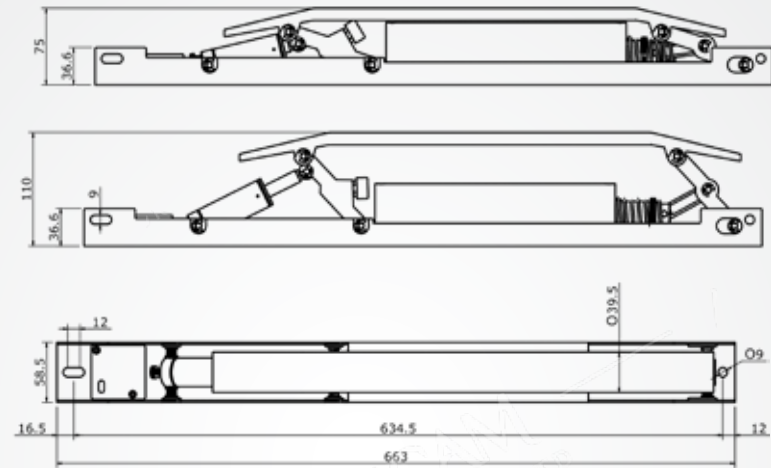
Door Lock - LDL-M2



CAR GATE SWITCH

Retiring Cam

Lift Landing Door Retiring Cam (LDLRC-M1)



INPUT V.	BOBIN	CURRENT I	STROK	OPERATION	WEIGHT
110 V.AC		0.80 AMP	35MM	120 OPRT/H	5.2KG
220 V.AC	190 V.DC	0.45 AMP	35MM	120 OPRT/H	5.2KG

*All dimensions of drawing are in "mm"



Manufacturing Plant & Office

Survey No. 503, Majara-Talod Road,
Gujarat State Highway 143, Taluka: Prantij
Opp. Kashtabhanjan Petroleum (NAYARA Petrol Pump),
Dist. Sabarkantha, Ghadkan, Gujarat 383 205.



Location Map

- ✉ info@avcamcorporation.com
- 🌐 www.avcamcorporation.com
- ☎ +91 98250 19838, +91 97651 66169

Our Virtual Presence



website



facebook



twitter



pinterest



linkedin



instgram



youtube



whatsapp

Disclaimer : The data contained within this catalogue is subject to change, errors and printing errors; any liability is excluded. Technical data in particular is subject to change without prior notification. Images are not exact and may contain minor deviations from the original. Unauthorized reproduction or distribution of photos or technical data is prohibited and may result in legal action.